

**3.5 x 7.0mm Tact Switch (R/A, SMT Type)**



TSG-21/22/23/24S/T-XXXH


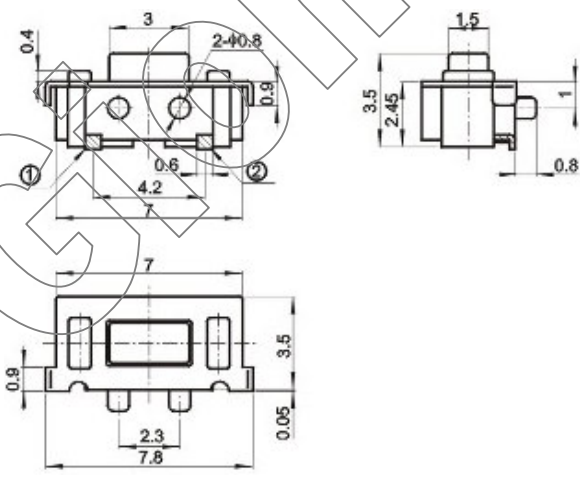
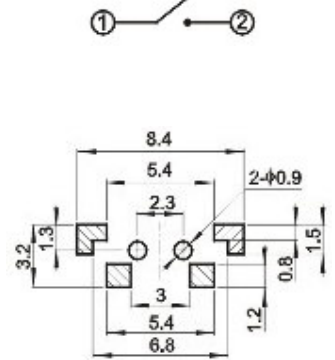
TS - Tact Switch  
 G - G Series  
 21 / 22 / 23 / 24 - Type  
 S / T - SMT Type / TH Type  
 XXX - Action Force (gram)  
 H - With Post (Optional)


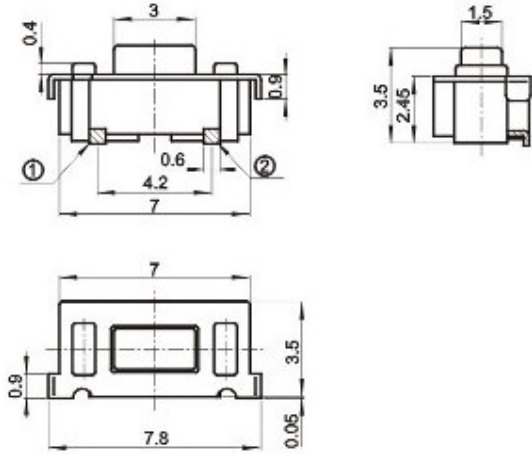
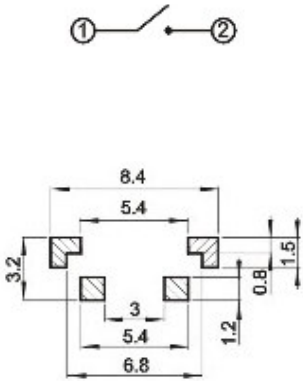

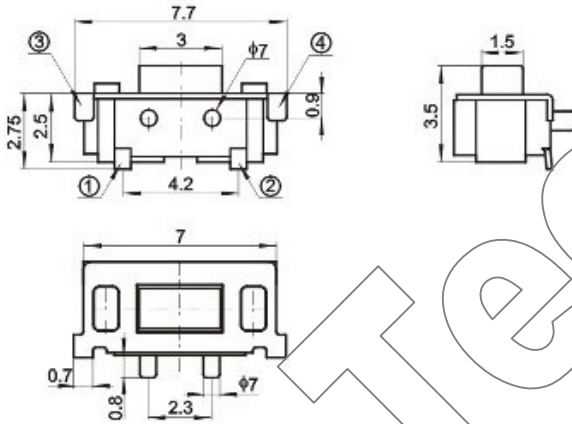
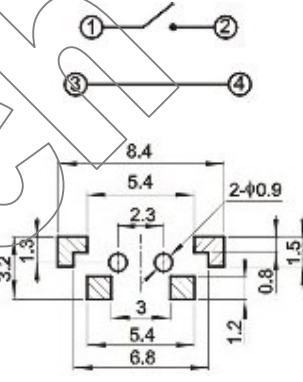

**SPECIFICATIONS**

Mechanical Life: 100,000 cycles  
 Operating Force: 70±50g, 130g±50g, 180g±50g, 250g±50g  
 Travel: 0.25±0.1mm  
 Rating: 50mA 12V DC  
 Dielectric withstanding: 250V AC/minute  
 Insulator resistance: ≥ 100 MΩ at 100V  
 Contact resistance: ≤ 100 mΩ/Contact  
 Operating temperature: -30°C ~ +85°C  
 Storage temperature: -40°C ~ +85°C

**Material**

Base: PA6T/LCP, UL94V-0  
 Contact material: Phosphor Bronze  
 Contact Spring Plating: Stainless Steel/Silver Plating

Physical Picture	Outline Drawing	Circuit
 <p>TSG-21S-XXXH</p>		

 <p>TSG-22S-XXX</p>		
 <p>TSG-23S-XXXH</p>		
 <p>TSG-24T-XXXH</p>	